



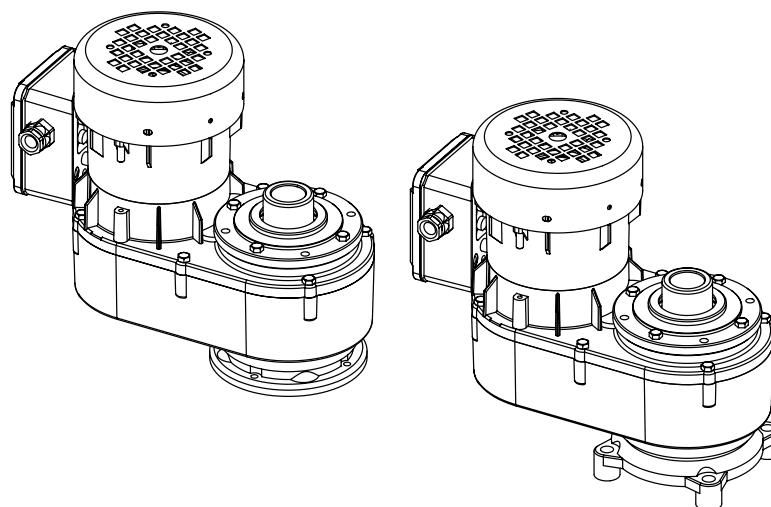
GEAR MOTOR FOR MILK TANK

RECOMMENDED FOR MILK TANKS WITH 2500 TO 25000 LITERS
1 MOTOR FOR 2500 TO 8000 LITERS MILK TANKS

2 MOTORS FOR 9000 TO 14000 LITERS MILK TANKS

3 MOTORS FOR 14000 TO 25000 LITERS MILK TANKS

OUTPUT SHAFT ACCORDING TO THE SPECIFICATIONS OF YOUR AGITATION BLADE (LENGTH & DIAMETER)



APPLICATION :

MOTORIZATION OF THE MILK TANK AGITATION BLADE

TECHNICAL FEATURES :

STAINLESS STEEL HOLLOWED SHAFT

2 MOUNTINGS AVAILABLE :
SEE DRAWING

2 POLE MOTOR

CLASS F INSULATION

IP44 PROTECTION

SINGLE PHASE MOTOR WITH PERMANENT CAPACITOR OR THREE PHASE

PERMANENTLY LUBRICATED

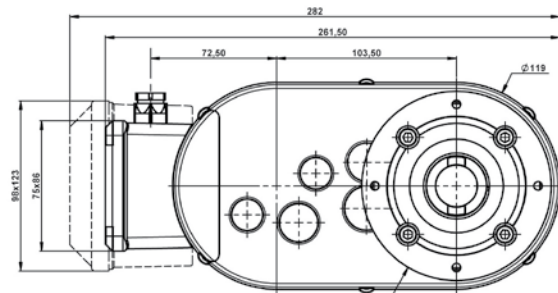
2 DIRECTIONS OF ROTATION

THERMAL CUT-OUT

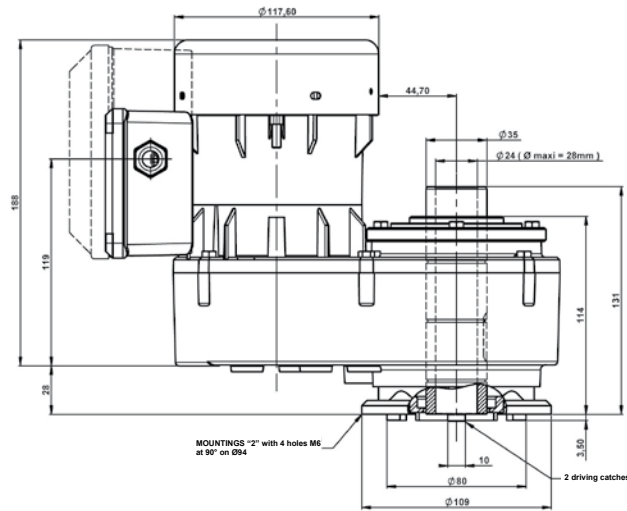
Technical features		Speed N2 RPM	Reduction ratio N2/N1	Rated moment m.daN		Maximum load on slowshaft (1)		Kg
Col.1	Col.2			Col.1	Col.2	Radial daN	Axial daN	
R1C 245 NB R3 245 NB	R1C 245 NBR R3 245 NBR	21	1/126	2,5	5,2	160	102	6,5
		25	1/112	2,2	4,6	150	93	
		32	1/89	1,7	3,6	138	82	
		48	1/59	1,2	2,4	122	69	

(1) Applied at 21mm from the shaft end

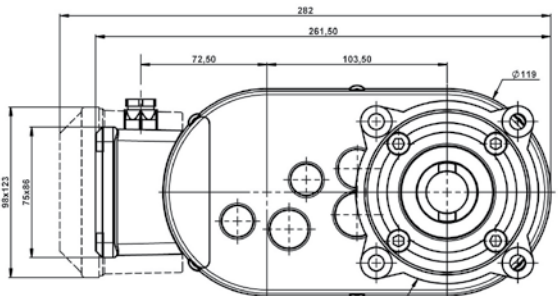
Motor features	Single phase with capacitor 230 V-50 Hz	Three phase 230/400 V 50 Hz	Rated moment cm.N	Output power W	Speed n1 RPM	Rated current 230 V - A	IA / IN	Cd / Cn	Cos
1C 245	•		24,2	71	2800	0,59	2,3	0,8	0,99
1C 245 R	•		51,2	145	2700	1,08	1,65	0,49	0,98
3 245		•	24,8	73	2800	0,42	3,25	0,97	0,79
3 245 R		•	51,2	145	2700	0,77	2,9	0,89	0,83



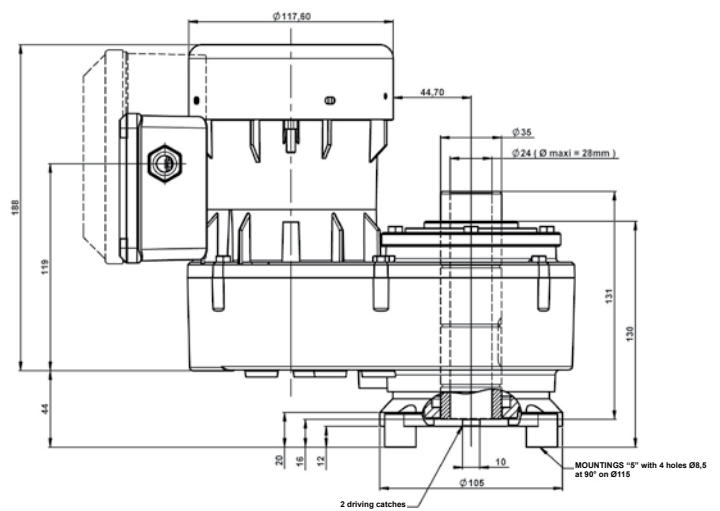
MOUNTINGS "2" with 4 holes M6 at 90° on Ø84



MOUNTINGS "2" with 4 holes M6 at 90° on Ø84



MOUNTINGS "5" with 4 holes Ø6.5 at 90° on Ø115



MOUNTINGS "5" with 4 holes Ø6.5 at 90° on Ø115

OPTIONS :

SEPARATED THERMAL CUT-OUT
(SINGLE OR THREE PHASE)

IP55 PROTECTION

OUTPUT SHAFT ACCORDING TO THE
SPECIFICATIONS SUITABLE TO THE AGITATOR

SPECIAL VOLTAGES AND FREQUENCIES
(60 Hz AND 50/60 Hz)

WASHING SYSTEM

REINFORCED MOTOR
(1ST GEAR IN METAL)